

Description

Kinetics Model RH Vibration Isolation hangers are designed to reduce the transmission of vibration and noise produced by suspended equipment piping and ductwork. RH Hangers incorporate a color-coded elastomer-in-shear insert with a load plate, assembled into a stamped or welded hanger bracket. Model RH hangers are a unique utilization of elastomer, loading the material in shear, rather than compression, increasing allowable strain without accelerating deterioration. RH Hangers will allow support rod misalignment through a 30° arc. Isolation brackets will carry a 500% overload without failure. Hangers are available in deflections from 0.20" to 0.57" (5 mm to 15 mm) and in capacities up to 2,000 lbs (907 kg). RH Hangers may be selected where first cost must be minimized. Kinetics Model RH Hangers are recommended for the isolation of vibration produced by suspended mechanical equipment, in-line and exhaust fans, ductwork, piping, etc.

Application

Kinetics Model RH hangers are used to isolate suspended sources of audible frequency vibration, or isolation of noise in piping and ductwork systems.

Model RH hangers are shipped fully assembled and ready for installation in threaded rod suspension systems.

Model RH hangers are available in a wide range of load selections and up to 0.57" (15 mm) static deflection and can be provided with labor-saving accessories for adaptation to wire or strap suspension systems.

Specifications

Vibration isolators with maximum static deflection requirements under operating load conditions not exceeding 0.57" (15 mm) shall be hangers consisting of an elastomer-in-shear insert encased in a welded steel bracket and provided with a stamped load-transfer cap.

The elastomer insert shall be molded from oil resistant compounds, shall be color coded to indicate load capacity and selected to operate within its published load range.

The hanger bracket shall be designed to carry a 500% overload without failure and to allow support rod misalignment through a 30° arc without metal-to-metal contact or other short circuit.

Isolation hangers shall be selected by the manufacturer for each specific application to comply with deflection requirements as shown on the vibration Isolation Schedule or as indicated on the project documents.

Vibration isolation hanger assembly shall be Model RH, as manufactured by Kinetics Noise Control, Inc.

Features

Elastomer-in-shear noise isolator

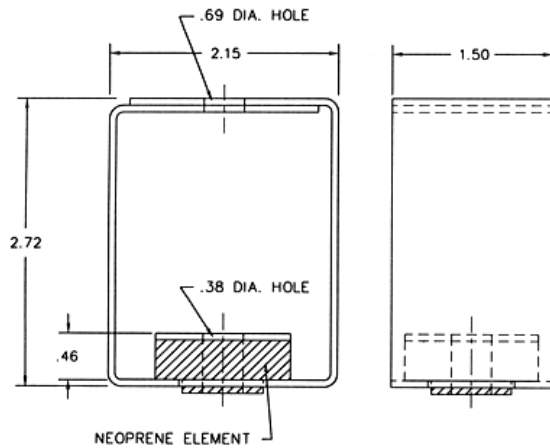
Static deflections up to 0.57" (15 mm)

Load capacities up to 2000 lbs. (907 kg)

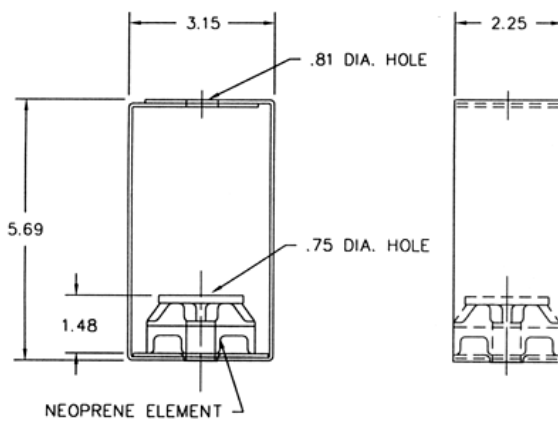
Insert color coded for load capacity

500% overload fail-safe steel bracket

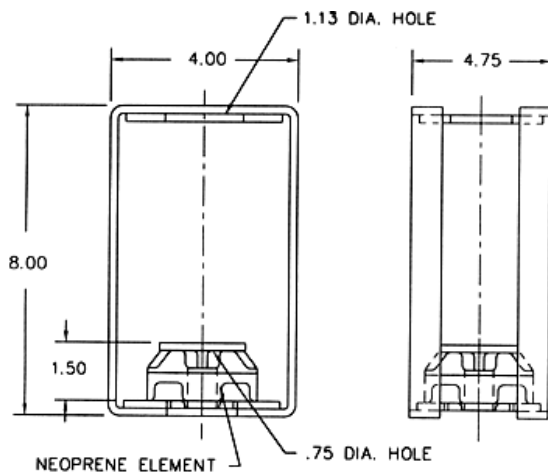
30° allowable rod misalignment bracket design



KINETICS NOISE CONTROL RH-75A/125A			
Hanger Model	Rated Load Pounds	Isolator Color	Rated Defl. in
RH-75A	75	Black	.20
RH-125A	125	Black	.20



KINETICS NOISE CONTROL RH-175B/450B			
Hanger Model	Rated Load Pounds	Isolator Color	Rated Defl. in
RH-175B	175	Red	.35
RH-300B	300	Green	.53
RH-450B	450	White	.55



KINETICS NOISE CONTROL RH-700C/2000C			
Hanger Model	Rated Load Pounds	Isolator Color	Rated Defl. in
RH-700C	700	Purple	.57
RH-1100C	1100	Yellow	.46
RH-2000C	2000	Pink	.53



Kinetics Noise Control, Inc. is continually upgrading the quality of our products. We reserve the right to make changes to this and all products without notice.